



## Deluxe Security Podium

Space-Saving, Enhanced Security, Electronics Ready

We increased the width of our Deluxe Security Podium and added a counter above the working surface to give this podium a premium look. An anchor loop allows the podium to be secured, a locking bar adds additional security. A grommet is installed in the working surface and base of the podium so electronics can be easily routed through the unit.



### Basic Features

- Countertop with brushed stainless steel trim
- Optional custom magnetic signage
- Electronic compatible
- Locking security bar
- Anchor loop
- 16 gauge, heavy-duty sheet metal construction
- Scratch-resistant textured black finish
- Zinc hardware
- Brushed stainless steel working surface
- Umbrella holder
- 4 Heavy-Duty Locking Casters
- 2 cam locks w/ keys
- Replaceable parts
- Pre-assembled
- Manufacturer's Warranty

**Dimensions:** 36.5"W x 24"D x 49"H

**Weight:** 125 lbs.

### Upgrade Options

#### Door Lock

Dual Key/ Combination Cam Lock + \$70.00

Schlage Key Pad Lock + \$360.00

#### Sneeze Guard

3 Panel + \$95.00

#### Miscellaneous

Short Shelf + \$25.00

Long Shelf + \$40.00

Shelf Kit + \$100.00

Bottom Trim + \$120.00

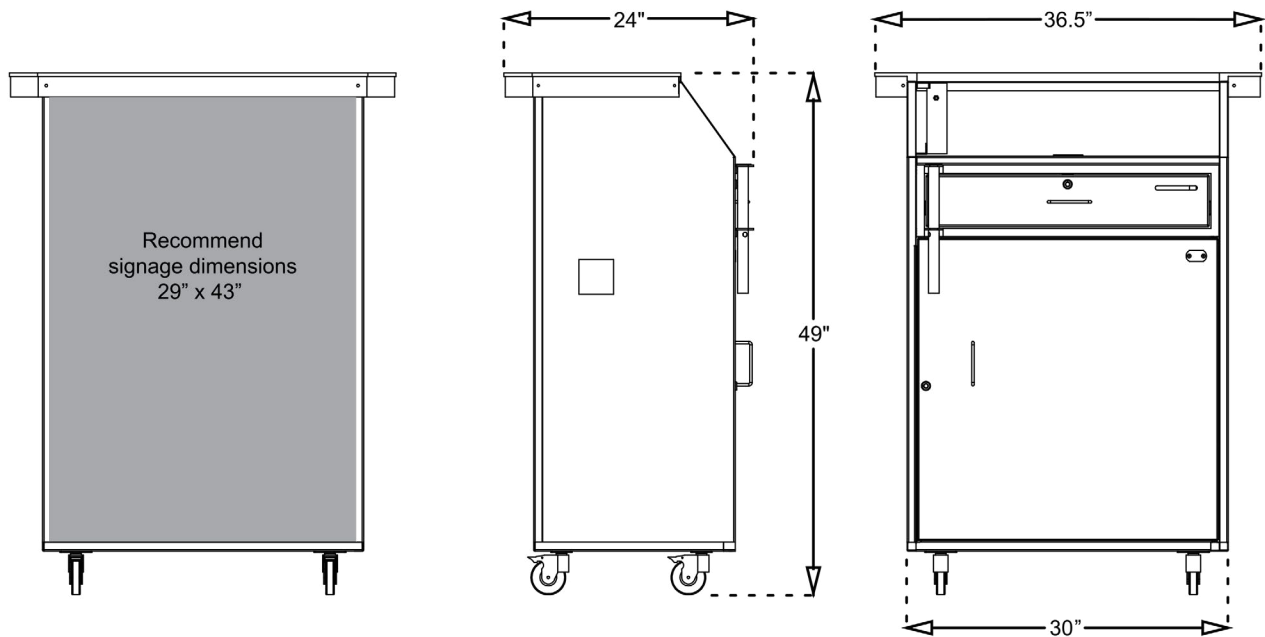
#### Accessories

LED Kit + \$349.00

Podium Cover + \$65.00

Heavy-duty Podium Cover + \$85.00

Umbrella + \$215.00



**TOTAL COST  
BEFORE DELIVERY**

**\$1,050** (basic options)